

CASE IH
AGRICULTURE
FOR THOSE WHO DEMAND MORE

PUMA

140, 150, 165
150, 165 MULTICONTROLLER
150, 165, 175 CVXDRIVE



The aggressive styling of the new Puma is more than a statement, it also incorporates new LED lights to make short work of long nights. Continuing the uptime direction, Case IH engineers focused on developing benefits to keep your Puma working longer efficiently with such features as:

- 750-hour service intervals
- Power management - to boost performance
- Transmissions with minimum torque interruptions

PUMA CVXDRIVE

THE PROVEN SOLUTION FOR FARMS AND CONTRACTORS

- CVXDrive continuously-variable transmission with high mechanical efficiency
- APM engine/transmission management for optimal fuel efficiency
- EcoDrive split throttle: whether transporting, baling or mowing - you're always working at the ideal and most fuel-efficient rpm.
- Active hold control - safety on slopes or when leaving the cab
- 53kph at a fuel-efficient 1,750 rpm
- Hydraulic pumps with up to 160l/min flowrate
- AccuTurn Pro - automatic turning at the headland with GPS-based triggers of headland sequences

THE PUMA SERIES

Efficient power for profitable farming

PUMA MULTICONTROLLER

THE POWERFUL ALLROUNDER FOR MODERN MIXED FARMING
AND ARABLE FARMING

- ActiveDrive 6 - semi powershift or PowerDrive - full powershift transmission
- Proven Multicontroller armrest for excellent ease of operation
- Up to 4 (mechanical) or 5 (electrical) rear remote valves
- Headland Management Control II (HMC II) and ISOBUS III
- 540/540E/1,000 rear PTO speeds
- Hydraulic pumps with up to 150l/min flowrate

PUMA

THE IDEAL TRACTOR FOR LIVESTOCK FARMS

- ActiveDrive 6 - semi powershift transmission
- Option of high or low roof
- Up to 4 mechanical rear remote valves and up to 3 electrical mid-mounted remote valves
- 540/540E/1,000 rear PTO speeds
- Hydraulic pumps with up to 110l/min flowrate



ENGINEERED FROM EVERY ANGLE	04 – 05
CAB	06 – 13
ENGINE, TRANSMISSION, DRIVELINE	14 – 25
PTO, HYDRAULICS AND FRONT LOADER	26 – 33

AFS, AFS CONNECT AND HMC II	34 – 41
SERVICE	42 – 47
SUSTAINABILITY	48 – 49
TECHNICAL DATA	50 – 51

ENGINEERED FROM EVERY ANGLE

A choice for any requirements

The Case IH Puma has a well-established reputation as a reliable, powerful, economical tractor. It is manufactured in Austria and is available in a selection of models and performance levels. All Puma tractors have one thing in common: patented engine and exhaust system technology "made by FPT".

PUMA

3 MODELS FROM 140 TO 165HP

Even in standard format, Puma tractors incorporate a comprehensive specification featuring everything necessary for modern-day farming. These straightforward, simple-to-operate machines are cost-effective business tools that ensure your workload is completed to the standards you'd expect from much more complex tractors.

PUMA MULTICONTROLLER

2 MODELS FROM 150 TO 165HP

With the Case IH Multicontroller armrest and joystick, Puma Multicontroller models put all key operating functions at the driver's right hand. Powershift and

powershuttle are operated via Multicontroller buttons, as are the operation of the rear hitch and one of the rear remote valves. Multicontroller is the last word in intuitive operation.

PUMA CVXDRIVE

3 MODELS FROM 150 TO 180HP

A leader in continuously variable transmissions since their very first development for use in tractors, Case IH today continues to lead the CVT sector with product developments that keep us at the cutting edge of the ultimate in fuel-efficient power transfer. Puma CVXDrive models are as easy to drive as they are economical, with an intuitive operating system that makes them 'jump on and go' machines suited to all types of operator, from casual summer staff to full-time drivers.



MODELS	Rated power ECE R120 ¹⁾ @ 2,200rpm (kW/hp(CV))	Maximum power ECE R120 ¹⁾ with Power Management ²⁾ @ 1,800 – 1,900rpm (kW/hp(CV))	Max. pump flow rate Standard (Optional) (l/min)	Max. lift capacity (kg)	Wheelbase (mm)
Puma 140	103 / 140	129 / 175	110 (-)	8,257	2,789
Puma 150 / Puma 150 Multicontroller / Puma 150 CVXDrive	110 / 150	140 / 190	110 (-) / 110 (150) / 140 (160)	8,257	2,789
Puma 165 / Puma 165 Multicontroller / Puma 165 CVXDrive	121 / 165	154 / 209	110 (-) / 110 (150) / 140 (160)	8,257	2,789
Puma 175 CVXDrive	132 / 180	165 / 224	140 (160)	8,257	2,789

¹⁾ ECE R120 corresponds to ISO 14396 and 97 / 68 / EC ²⁾ Power Management is only available during hydraulic, mobile PTO and haulage applications



- 1 DESIGN**
 - Attractive bonnet design with large air vents for improved air intake
 - Powerful LED lights integrated into the cooler grill – perfectly lighting your working area
- 2 FRONT MOUNT SPACE**
 - Integrated front hitch with optional front hitch management and automatic PTO
 - Optional Adaptive Steering Control (ASC) and programmable steering wheel revolutions
 - Electrical joystick – quickly switch between rear and front remote valves
- 3 ENGINE**
 - 6 cylinder 6.7l FPT turbodiesel with intercooler and wastegate turbocharger
 - An eye on the environment: All Puma models meet strict Euro Stage V emissions standards
 - No external cooled exhaust gas return needed
 - Engine power management provides up to 44hp extra boost
 - Reversible eco-fan keeps the radiator grill clean
 - 750 hour service interval
- 4 DRIVING COMFORT AND SAFETY**
 - Suspended and braked front axle available as an option
 - Cab suspension available for all Puma models
 - Premium driver's seat with active suspension (Puma CVXDrive and Puma Multicontroller)
 - Patented trailer brake system – Advanced Trailer Brake for Puma CVXDrive
 - Active Steering Control to improve maneuverability
- 5 HYDRAULICS**
 - CCLS hydraulic pumps with flow rates of 110l/min up to 160l/min at 210bar pressure
 - Up to 8,257kg rear lifting capacity and 3,568kg front hydraulic lifting capacity
 - Up to 4 mechanical or 5 electrical rear remote valves (Puma CVXDrive and Puma Multicontroller)
 - Up to 4 mechanical rear remote valves (Puma)
 - Up to 3 electrical mid mounted remote valves and Power Beyond connections (load sensing) optional
- 6 A CHOICE OF TRANSMISSIONS**
 - ActiveDrive 6 semi powershift or PowerDrive full powershift transmission with automatic gear changes and programmable powershuttle
 - CVXDrive continuously-variable transmission from 0 – 50kph with active hold control
 - Electronic parking brake for all transmission versions
 - All transmission versions reach 40kph at low engine speed (40kph ECO)





STAY FOCUSED, BE PRODUCTIVE

More than a workplace

If you're looking for a workplace to feel at home in, the Puma models have the cab for you. Extraordinary comfort and excellent user-friendliness let you enjoy even the longest drives. Operate whenever you need to with up to 20 LED lights that provide superior visibility at night. The operating concept is tailored to the needs and wishes of our clients to minimise familiarisation time and maximum work results. Have a seat in your Puma cab – the future is waiting!

YOUR COMFORT ALWAYS COMES FIRST

A cab environment like no other

The Puma cab environment is designed for driver's like you. A new monitor bar caters for the digital users with smartphones and tablets.

THOUGHTFUL DETAILS

Every control element is at your fingertips. No matter which tractor configuration you choose, all models are simple and intuitive to control without hours of poring over the user manual.



PERFECT VIEW, DAY OR NIGHT

The perfect arrangement of front and side-oriented LED headlights with 30,000 lumens of brightness turn any night into day. Up to 20 LED working lights on the cab roof, A and B pillars provide optimal 360 degree illumination without shadows.



DUAL MONITORS FOR YOUR PUMA

A monitor rail allows a convenient point to mount monitors for your implements and for AFS Guidance users there is the option for a dual AFS Pro 700 monitor.



HEATED AND VENTILATED SEAT

The new Puma's optional heated and ventilated red leather seat keeps you cool and comfortable in warm months.

PUMA CAB – EVERYTHING WHERE IT SHOULD BE

Case IH Puma tractors offer ease of use, intuitive controls and excellent cost efficiency. The entry-level model can be configured to suit your needs and offers a comfortable cab.



PUMA MULTICONTROLLER/CVXDRIVE CAB

Puma Multicontroller and CVXDrive models are fitted with the Multicontroller armrest with electronic joystick. The practical grouping of all important functions on the right side of the cab makes your day much more productive. For a more comfortable, less tiring working environment, the cab can optionally be equipped with automatic climate control, mechanical cab suspension and an Active Leather cooled seat.



THE PUMA WORK STATION

Intuitive operation -
maximum productivity

TIME IS MONEY – AND WE KNOW HOW BUSY YOU AND YOUR EMPLOYEES ARE.

The Multicontroller™ armrest, ICP operator's panel and AFS Pro 700™ touchscreen monitor combines all the key tractor functions. The Intuitive Control Panel has the major Puma tractor functions located in a logical layout at the centre of the Multicontroller™ armrest - it's easy to follow and understand for all drivers allowing the operator to quickly get the full potential from the Puma in the field.

TRUST IS GOOD, CONTROL IS BETTER

The tractor's performance monitor is located on the right A-pillar. It displays all basic settings and tractor information in a clear, comprehensive overview.

AFS PRO 700™ TOUCHSCREEN

OPERATION OF REMOTE VALVES
INCLUDING JOYSTICK

MULTICONTROLLER

ICP – INTUITIVE CONTROL PANEL

HYDRAULIC AND REMOTE
VALVE SETTINGS





PUMA MULTICONTROLLER MODELS WITH POWERDRIVE TRANSMISSION



Diesel gauge and engine coolant temperature

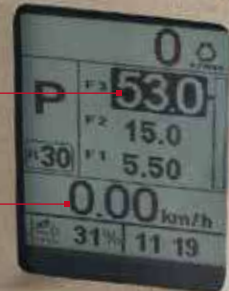
Warning light display

Gear settings display

AdBlue gauge display

Performance monitor

Keypad for selecting/programming the displays



**PUMA MULTICONTROLLER MODELS:
THE RANGE AND GEAR SELECTIONS ARE CLEARLY SHOWN ON THE A-PILLAR DISPLAY**

AFS PRO 700: ONE MONITOR, INFINITE POSSIBILITIES

Look to the future!



INTERFACE WITH YOUR TRACTOR

The AFS Pro 700 is the main mode of operating and supervising your Puma: all main functions and status information are bundled in one display. Menu navigation is intuitive, with important settings accessible within seconds. This lets you get every bit of potential from your machine.



CUSTOMISABLE FOR YOUR NEEDS

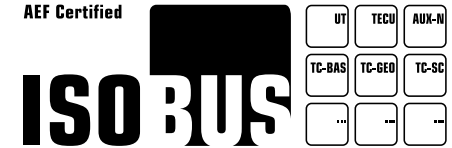
The AFS Pro 700 monitor provides an overview of all tractor functions. Choose up to 12 important Puma parameters and store them in this quick access menu to be recalled when you need them.



KEEPING AN EYE ON WHAT'S IMPORTANT

The AFS Pro 700 monitor can show up to three live videos from several cameras at the rear of the tractor, or the rear of large implements. This makes backing up with implements such as large trailers or balers easier than ever.

AEF Certified



www.aef-isobus-database.org



AUTOMATED HEADLAND MANAGEMENT

The Case IH Headland Management Control II system (HMC II) can increase automation at the headland and reduce repetitive tasks, ensuring a consistent workflow. Two processes can be recorded in real time while you work, or by inputting commands on the AFS Pro 700 monitor. Triggers can include time or distance travelled, depending on the settings.



INTEGRATED AEF CERTIFIED ISOBUS IMPLEMENT CONTROL

ISOBUS is a modern tractor/implement interface allows implement operation on the AFS Pro 700. This can reduce the need for a second display in the cab. Connect via the 9-pin ISOBUS plug at the rear or front of the Puma. Puma Multicontroller and Puma CVXDrive are also compatible with ISOBUS III, which allows the implement to control tractor functions such as the remote valves, PTO, rear hitch and ground speed.



CLEAR PERFORMANCE MONITORING

You can view all the critical Puma performance and tractor functions such as oil pressure and coolant temperature on the AFS Pro 700. Regular monitoring and easy-to-understand data ensure your Puma is ready for work when you need it. For further analysis, you can choose to transfer your data from the AFS Pro 700 directly to your myCASEIH platform to analyze and improve uptime in the field, without having to record it in a notebook.



AUTOMATED STEERING AND TURNING

AFS AccuGuide and AFS AccuTurn Pro work together to provide fully automatic steering and headland turning. Combined, they can improve machine uptime in the field and reduce input costs by reducing overlaps. With AFS AccuTurn Pro, you can automate headland processes and integrate HMC II tractor and implement functions into the turning process.





THE ENGINE OF PROGRESS

Our future-oriented drive train



In the Case IH Puma range, every drive train component has been designed to work together perfectly. An innovative control system lets transmission and diesel engine work as a synchronized team, reaching new dimensions of power, performance and fuel efficiency. See for yourself how our drive train technology results in the highest quality ride and incredible working performance - get ready for the future!

DRIVEN BY INNOVATION

The next step in performance

Puma tractors are built around the latest generation Stage V-compliant FPT engines, forming the heart of a powertrain that's built to take high-output hard work in its stride. The latest 6 cylinder engines are also designed for longer 750 hour oil and filter change intervals.

The 6.7 litre 4-valve engine with Common Rail high-pressure fuel injection and wastegate turbocharger delivers performance, torque, fuel efficiency and reliability between 140 and 180hp (rated). All models benefit from an innovative power management system that provides an extra power boost when transporting heavy loads or moving at higher speeds. This intelligent engine control system is available with all transmission options.

STRENGTH WITHOUT COMPROMISE

All engines can generate up to an amazing 47% torque rise. With this large reserve, torque can be increased even while engine speed drops under heavy load. With a broad constant power range of constant power, the engine can achieve its full potential even at low speeds, which improves fuel efficiency. Puma really shows its strength when pulling heavy loads. You'll be able to use this power all day long thanks to an oversized 330 litre fuel tank.

EXCEPTIONALLY ECONOMICAL

The optional engine back-pressure brake saves you money by saving your brakes, both on the tractor and on the implement. The electronic Vistronic fan has been tuned for maximum fuel efficiency, ensuring need-based cooling performance rather than cooling speed based on engine speed. The reversible Eco fan promises even greater efficiency and reliability.

THE LEADING PIONEER OF SCR TECHNOLOGY

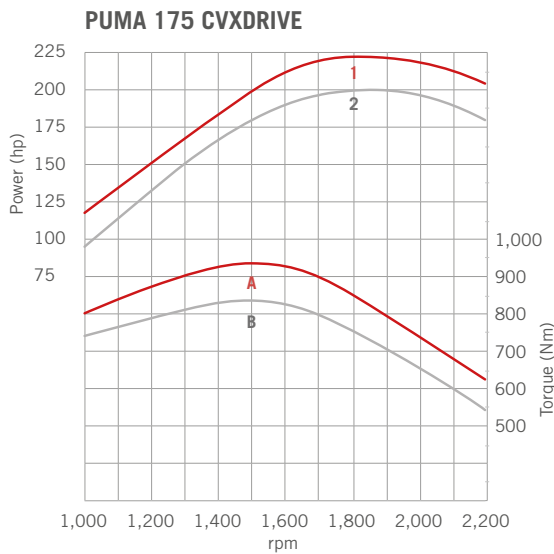
Case IH was one of the first companies to implement the innovative SCR solution, making us a technology leader in this area. FPT Industrial's patented "High Efficiency Selective Catalytic Reduction" (HI-eSCR 2) allows all Puma models to meet strict Euro Stage V emissions standards. The maintenance-free exhaust gas after-treatment system and efficient combustion eliminate the need for an external cooled exhaust gas return (EGR). Optimal combustion and highest possible efficiency are guaranteed in any condition.

ADVANTAGES

- FPT engines with 175 to 224hp maximum output
- Stage V compliant emissions with HI-eSCR 2 exhaust gas aftertreatment
- No exhaust recirculation
- Up to 44 hp additional boost with Power Management
- 750 hour service interval
- Fuel tank with up to 330l capacity
- Optional reversible Eco fan available

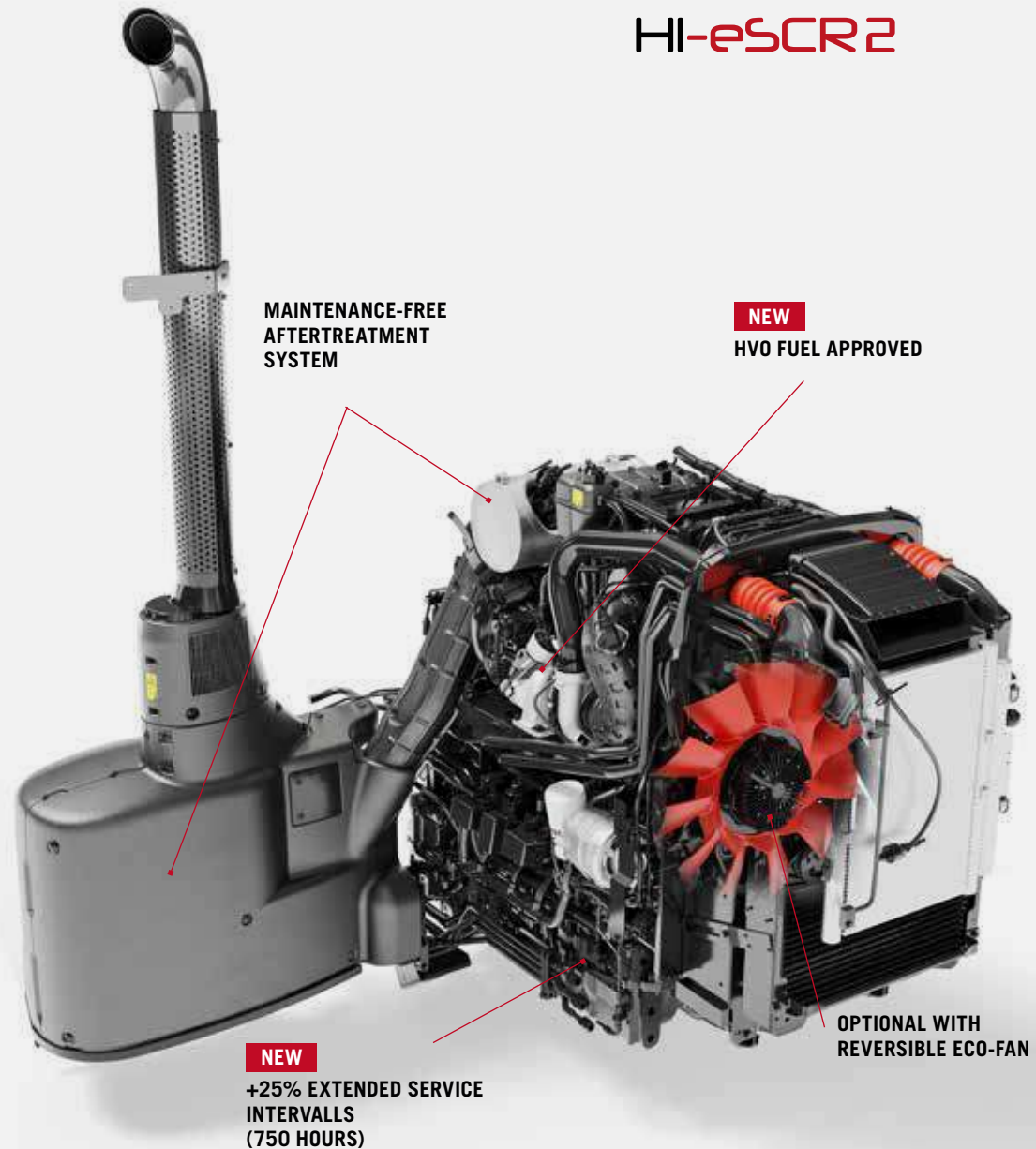
ENVIRONMENTALLY FRIENDLY

Hydro-treated vegetable oil, or HVO, is a biosynthetic diesel that is fully compatible with the Stage V FPT engine. Combined with the extended service intervals and biodegradable transmission oil, HVO compatibility cements the Puma's eco-credentials.



Curves 1 and A with Power Management
Curves 2 and B without Power Management

HI-eSCR2



**MAINTENANCE-FREE
AFTERTREATMENT
SYSTEM**

**NEW
HVO FUEL APPROVED**

**NEW
+25% EXTENDED SERVICE
INTERVALLS
(750 HOURS)**

**OPTIONAL WITH
REVERSIBLE ECO-FAN**



ONE COMPONENT WITH MANY POSSIBILITIES

The right transmission for the job

Case IH recognises that no two farm businesses are the same and every one demands different things from its tractors. That's never truer than in the transmission department, where what suits one operation may not be right for another. What will the new tractor's main jobs be? How do my employees and I prefer to work? This is why Puma, one of the most versatile tractor ranges in the Case IH line, is offered with two transmission options.

THE SEMI POWERSHIFT

While Puma may be the baseline models, there's nothing basic about the transmission on standard Puma tractors. These entry-level machines benefit from a 18x6 40 km/h ActiveDrive 6 - semi powershift with six clutchless changes. A creep speed option brings with it a further ten forward ratios to 28x6, whilst a 19x6 PowerDrive - full powershift transmission is also available, offering either 40 km/h top travel speed at reduced engine rpm or 50 km/h maximum speed. So if a six-speed powershift is sufficient to meet the needs of a particular business, then with a Puma that doesn't mean it's necessary to skimp on specifications.

THE FULL POWERSHIFT

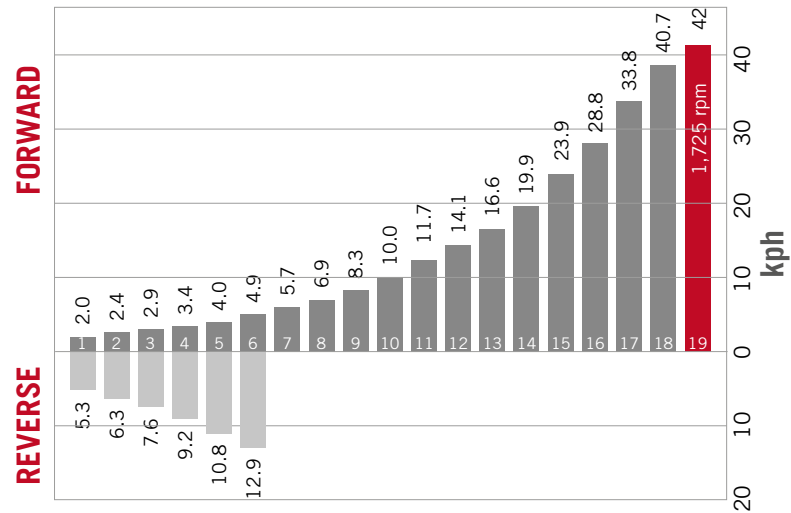
PowerDrive is a 19x6 speed full powershift transmission. Designed to provide the optimal number of gears with no clutching or torque interruption in the crucial 2.5kph to 14kph working range.

The advantage of Powerdrive is the ease of operation. The Puma Multicontroller puts the transmission control literally in your hand.

A creep speed option is also available for speed sensitive tasks.

ADVANTAGES

- ActiveDrive 6 — Semi-Powershift transmission with 18x6 40kph or 19x6 40kph or 40kph ECO or 50kph (Puma 140 – Puma 165)
- PowerDrive – Full-Powershift transmission with 18x6 or 19x6 40kph or 40kph ECO or 50kph (Puma 150 – Puma 165 Multicontroller)
- Fully automatic range change
- All transmissions available with creep speed as low as 200m/h



Max. speed PowerDrive full powershift transmission with 19x6 gears, 40kph ECO



EXPERIENCE GIVES YOU THE EDGE

Continuously-variable power

Case IH developed the CVXDrive continuously variable transmission in the mid 90s - the first tractor manufacturers to do so. Over two decades of experience have let our engineers improve and expand upon this innovation.

PERFECTLY BALANCED COMPONENTS

The CVXDrive transmission is one of the most efficient in the industry. The two-range hydro-mechanical design can transfer a high proportion of the engine's power to the ground, turning energy into work.

There are two points of 100% mechanical efficiency, one in the key field working speed and one aimed at transport work.

The sophisticated interplay of the planetary gears, double clutch, two automatically shifting ranges and the hydrostat unit delivers this continuous power from 0 to 50kph.

INTELLIGENT EFFICIENCY

The APM engine/transmission management system automatically recognises the selected ground speed and adjusts engine speed and gear ratio to maximize performance. The driver need only move the Multi-controller or step on the foot throttle, APM takes care of the rest. For even greater fuel economy, top speed is achieved at just 1,750rpm – perfect for transport work. Puma CVXDrive is also a winner when it comes to slow working speeds, with minimum speeds of 0.03kph.

INTUITIVE OPERATION HAS MANY ADVANTAGES

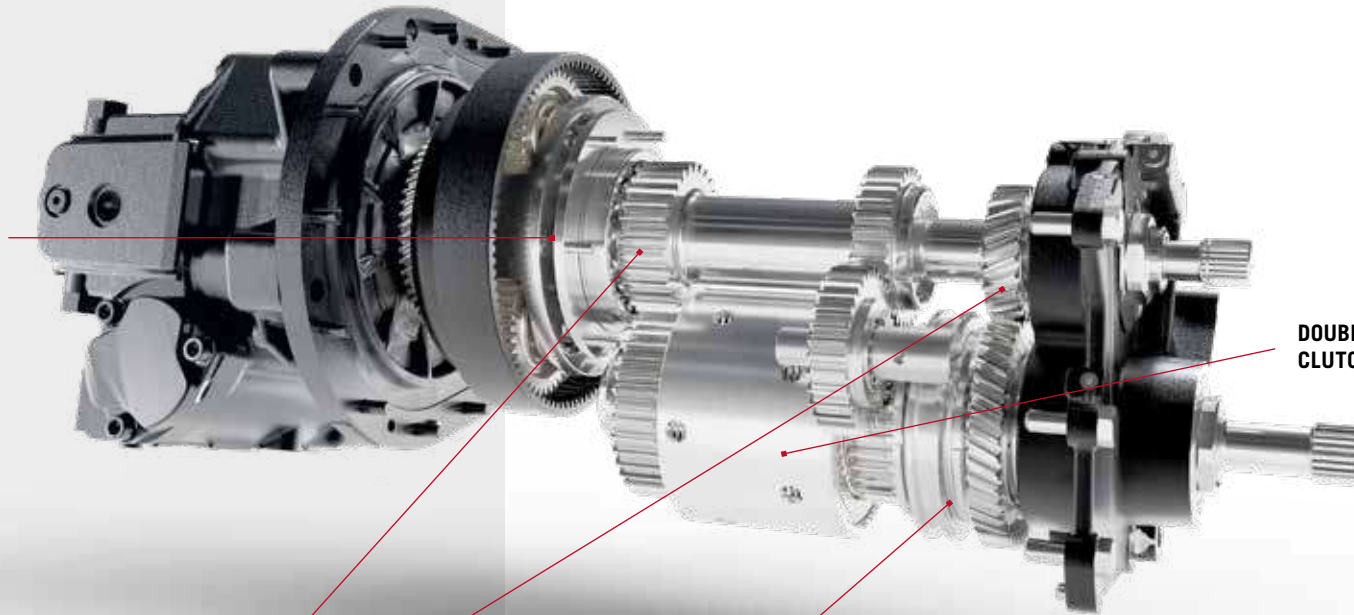
With the EcoDrive throttle, the driver can set minimum and maximum engine speed in order to adjust power output to the job at hand. If you are working with a constant speed memory, you can set the right controller to the lowest value that the engine may be reduced to. If the engine RPM drops any lower, APM automatically slows the tractor, saving fuel.

SAFE AND STRESS-FREE WORK

Active hold control is always a standard feature. It automatically prevents the tractor from rolling on slopes, without needing to activate brakes or clutch. To continue forward, simply push the Multicontroller forward.

CVXDRIVE TRANSMISSION – SEAMLESS ACCELERATION BETWEEN 0-50KPH

**SUMMING PLANETARY
TRANSMISSION –
COMBINES DRIVE SPEEDS
OF THE ENGINE AND
HYDROSTAT UNIT FOR
ACTIVE HOLD CONTROL**



TWO MECHANICAL DRIVE

**SYNCHRONIZER FOR GEAR 2
AND REVERSE GEAR**

**DOUBLE CLUTCH TECHNOLOGY -
CLUTCH A / CLUTCH B**



SIMPLE TO OPERATE

Set the speed – APM takes care of the rest

READY FOR ANY TERRAIN

Taking a new path

With an excellent power-to-weight ratio and a high maximum permissible weight, Case IH Puma tractors are strong in the field and on the road.

A TRACTOR WITH PERFECT TRACTION

Puma's automatic 4WD and differential lock systems can be automatically switched on and off where necessary, to combine minimal wheel slippage with maximum ground protection. The standard Ride Control system minimises pitching movements when transporting heavy mounted implements.

TOUGH, YET GENTLE

Optional front axle suspension increases comfort, improves handling and counteracts tractor pitching caused by heavy rear-mounted implements. A sophisticated damping system provides maximum stability and offers automatic, load-dependent self-levelling. The result is excellent driving stability and comfort.

CTIS READY

To make the most of the new IF and VF tyre technology available, Case IH Puma models are prepared for CTIS installation. Tapped trumpets allow for the easy installation of a rotary union and for those CTIS working through ISOBUS the tyre pressure and settings can be displayed via the AFS Pro 700 monitor.

THE PERFECT BALANCE

Puma tractors have a power-to-weight ratio of up to 30kg/hp, for superb traction with minimal soil disturbance.



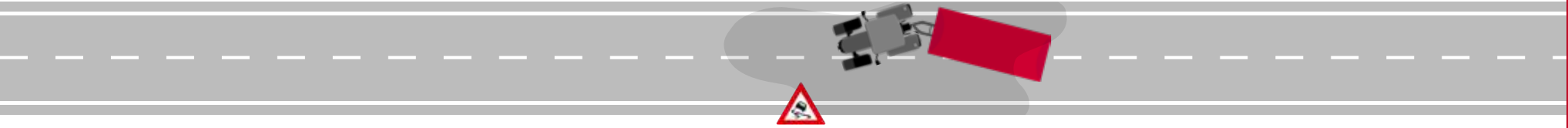
**MECHANICAL CAB SUSPENSION:
ENJOY LESS BACK STRAIN AND MORE COMFORT**



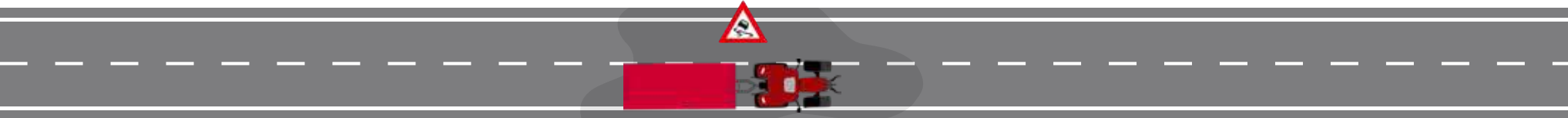
- Stable construction - high payload thanks to increased maximum permissible total weight of up to 11,500kg
- Optional engine block side frame increases the stability of the driveline
- Braked and suspended class 3.5 front axle with 105mm travel
- Maximum permissible front axle load of 4,900kg
- Reinforced rear axle with four planetary gears for a long service life
- Four high-performance brake discs on the rear axle ensure for security



WITHOUT ADVANCED TRAILER BRAKE SYSTEM



WITH ADVANCED TRAILER BRAKE SYSTEM



The Advanced Trailer Brake system actively recognises the current driving situation and stabilises the tractor and trailer combination by using the trailer's brakes.

DESIGNED FOR SAFETY

To protect what matters most

PATENTED SAFETY SOLUTION

The Advanced Trailer Brake equipped on Case IH Puma CVXDrive tractors enhances safety in tricky situations. The patented system actively recognises the current driving situation as well as changes to the load on the flywheel and stabilises the tractor by means of pulsed activation of the pneumatic trailer brakes. The system stabilizes tractor and trailer combination when decelerating either by pulling back on the Multicontroller or using the brake pedal. The tractor and trailer stay in line.

EXHAUST BRAKE

An engine back-pressure brake is available as an option on Puma CVXDrive models. Reduces use of the service brake by up to 30% which saves wear on tractor and implement brakes.

PARKING BRAKE

All Puma CVXDrive models also feature an automatic parking brake. It activates automatically after 90 seconds or if the driver leaves his or her seat for more than 5 seconds.





A STRONG ALLROUNDER

Perfectly equipped for any job



Puma's comprehensive, high-performance hydraulics and PTO equipment makes it a true allrounder, able to manage a wide range of implements. When you need to get work done, you want a robust chassis, a tight turning radius and a high permissible total weight (11,500kg - Puma CVXDrive and 10,500kg Puma Multicontroller and Puma).

MORE FEATURES, MORE POSSIBILITIES

Ready for work

- Heavy-duty PTO clutch with soft start function
- Integrated PTO brake
- PTO with three speeds and one or two Economy PTO speeds (540/540E/1,000 or 540E/1,000/1,000E)
- Three different PTO shafts possible



VERSATILITY IS KEY

Mowing, tedding, baling and more – the rear PTO has a lot of jobs to do, and Case IH has practical solutions for all of them. Puma tractors work with a 3-speed rear PTO (540/540E/1,000 - standard or 540E/1,000/1,000E - optional). PTO speed is easily pre-selected via a potentiometer.

WE HELP YOU SAVE

The ECO PTOs are designed especially to match engine characteristics, so that 540 ECO or 1,000 ECO speeds are achieved at below 1,600 rpm engine speed. This not only saves fuel on lighter work, but also keeps the noise level down.

UNSURPASSED

Numerous additional functions ensure optimal operation: soft start engagement gradually increases torque on the driveline to prevent excessive start resistance. This reduces wear on your implements, extending their service lives. A hydraulic brake also ensures that speed is reduced immediately once the PTO is switched off. The PTO management system (Puma Multicontroller and

CVXDrive) switches the rear PTO off when the hitch has reached a predefined height, and back on again after turning, all fully-automatically. This prevents the PTO and implement from continuing to run at a bad angle to each other.

THE RIGHT SPEED AT THE PUSH OF A BUTTON

When using the PTO, the constant speed memory can be activated. AFS Pro 700 monitor lets you preset a suitable engine speed for the implement, which is activated by pressing a button or by the Headland Management HMC II. This saves valuable time and fuel.

ADVANTAGES

- Three PTO speeds at the rear for all Puma models as standard
- ECO PTO speeds for better fuel economy (540E or 1,000E at below 1,600 engine rpm)
- Front PTO with 1,000rpm and optional front hitch management



CONNECT ALL KIND OF IMPLEMENTS TO YOUR TRACTOR

Simple solutions even for the heaviest implements

A tractor's hydraulic capabilities play a large part in defining its uses. Case IH Puma tractors are fitted with high-performance hydraulic pumps, lifting equipment and remote valves, allowing you to use large implements.

MOVE IT ALL

Puma's advanced hydraulic system leaves nothing to be desired: flowrates of up to 160l/min are available, with up to 8 electrical remote valves and a rear hitch lift capacity of 8.3t.

PERFECTLY MATCHED

Load sensing Power Beyond connections are available so you can efficiently operate special machines requiring large flowrates. If electrical remote valves are equipped, the electrical joystick is a huge advantage as a controller, especially when using a front loader.

EVERYTHING IN HAND

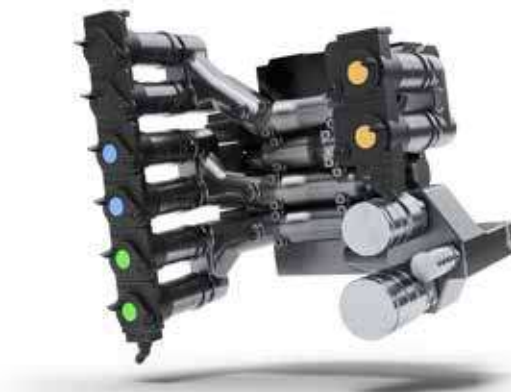
Puma tractors are also available with a wide range of hydraulic equipment to suit your unique needs. Choose electrical or mechanical remote valves.

FRONT END TAKES THE LEAD

The Puma's front hitch can lift up to 3,568kg and can be fitted in combination with a front PTO and/or front hitch management. This opens up even more practical possibilities.

CUSTOMIZED SETTINGS

If your Puma is equipped with HMC II, any remote valve can be assigned to the Multicontroller. Keep all hydraulic functions exactly where you want them. With flowrate control, you can adjust the flowrate of hydraulic oil to perfectly match the implement – either from the AFS Pro 700 monitor or via the dial encoder under the armrest cover. Timing and prioritizing the remote valves is another standard function.



Pressure and flowrate-controlled hydraulic block with up to 4 electro-hydraulic remotes and Power Beyond connections

ADVANTAGES

- Maximum rear lift capacity of up to 8,257kg
- 3,568kg maximum front lift capacity
- 4 mechanical (all Puma models) or 5 electrical remote valves (Puma Multicontroller and Puma CVXDrive)
- Electrical joystick control
- Up to 3 electrical mid-mounted remote valves
- Colour coded remotes and control switches



At-a-glance overview of flowrate and timer settings on the AFS Pro 700™ monitor.



■ Hitching up to implements is easy thanks to a logical layout.

- Cat. II-III quick adjust
- Cat II-III lower link with automatic stabilisers
- Exterior buttons for hitch, electrical remote and PTO on/off

■ ISOBUS is available as an option for implements that use this function. Working with the AFS Pro 700 you can control implements with ease from one monitor.

ELEVATING BUSINESS

Loader-ready when you are

Case IH Puma tractors are available with loaders. Puma's up to 175 hp are available even loader ready from the factory and designed to operate as a system with the Case IH loader model – LRZ 150. In addition, to make sure you get the most productive loader work from your Puma, there's a wide range of buckets and tools. That way you can easily select the perfect tool or attachment, no matter what you need to get done.

LIFT IT ALL

At Case IH we see the LRZ loader as part of the tractor. The wiring, hoses, brackets and control systems are fully integrated into the vehicle at the design stage and not just retrofit as offered by other manufacturers. The armrest mounted joystick is perfectly positioned and truly responsive. The high roof visibility window is ideal for loader work.

REDUCED STEERING EFFORT

It's more than just a loader. All Puma tractors are packed with features to deliver superior manoeuvrability and visibility. For example, new Adaptive Steering Control eases operation and manoeuvrability. The steering ratio can be selected via the AFS Pro 700 touchscreen monitor either through preset options or a customised setting.

QUICK ATTACH SYSTEM

The Quick-Lock mounting system makes attachment quick and easy. The spring-loaded design keeps the pins with the loader – no loose pins or parts to go missing when you're attaching the loader. Plus, safety mechanisms are built in for maximum simplicity and dependability.

ADVANTAGES

- Built to precisely match every Puma tractor
- Easy to see in operation through one-piece screen and high-visibility roof
- Quick-Lock mounting system makes attachment quick and easy
- Excellent visibility to attachments
- Drive in, connect, lift, lock, fold up parking stand and go
- Adaptive Steering Control reduces the number of steering wheel turns required



Adaptive Steering Control for improved steering response and reduced effort.



Quick Attach – easy loader connection.

LOADER MODELS	Max. lift capacity (kg)	Max. height at pivot (mm)	Loading height edge blade parallel / tilted (mm) / (mm)	Tractor power minimum hp / maximum hp
LRZ 150	2,800	4,260	4,050 / 3,210	120 / 180





Slip
3%

Engine Power
91%

A series of overlapping, semi-transparent windows floating in the air. The windows display various data, including tables with columns and rows, and maps of a field with colored overlays.

SMART, COST-EFFICIENT AND ECO-FRIENDLY

Case IH Advanced Farming Systems (AFS™)

Since its founding, Case IH has been setting milestones in the industry in terms of engines, transmissions and intuitive operating concepts. We look at existing potentials, develop suitable solutions, and implement them. We aren't satisfied until our innovations have simplified and improved your daily work.

Our Advanced Farming Systems (AFS™) have set a trend for smart solutions in precision farming. AFS connects the tractor's and implement's control systems through full ISOBUS compatibility and HMC II headland management. Take advantage of your Puma's industry-leading technology for more performance, productivity and flexibility.



Ground Speed
6.0 km/h

Engine Power
54 %

Coverage Area
26.3 ha

Fuel Rate
89.3 l/h

CASE IH AFS™

Take advantage of maximum precision – day in and day out



Case IH Advanced Farming Systems (AFS™) have been at the forefront of precision farming for more than a decade. Case IH AFS tools include everything you need to achieve repeatable accuracy down to 1.5cm, reduce overlaps, cut operating costs and maximise your profitability.

A FULLY-INTEGRATED SOLUTION

Your Puma can be made “AFS™ AccuGuide Ready” on the assembly line with installation of the AFS Pro 700™ touchscreen and steering position sensors. You may also choose to retrofit a fully-automatic GPS/Glonass steering assistance system. Using our Case IH AFS RTK+ signal from a local station or mobile gives you track-to-track accuracy of 1.5cm. The RTK+ system bridges breaks in reception or signal drop-outs of up to 20 minutes with the xFill app, keeping you right on track even with signal gaps.

With the optional Case IH AFS Connect™ telematics system, your Puma CVXDrive can be pinpointed in real time from the comfort of your office. An analysis of the performance data can help you optimise logistics and efficiency coupled with lower fuel consumption.

ADVANTAGES

- Range of signal accuracies available
- Receivers use Galileo, GPS and GLONASS signals
- Low cost RTX signal solution
- Optional high accuracy Case IH AFS RTK+ signal with accuracy levels close to 1.5cm
- Integrated automatic AccuGuide guidance
- xFill bridges RTK+ signal gaps of up to 20 minutes
- AFS Connect telematics provides machine tracking and performance data



Automated guidance with AFS AccuGuide



xFill bridges RTK+ signal losses of up to 20 minutes



AFS CONNECT

Manage your farm, fleet and data remotely



AFS Connect lets you remotely monitor and manage your farm, fleet and data, allowing you to optimise your performance, productivity and flexibility. Efficiently visualise your equipment with little to no idle time. With all the information at your fingertips, you can successfully manage your operations anytime, anywhere!

USER-FRIENDLY INTERFACE

- New, intuitive and redesigned interface with all information at your disposal
- Ergonomic platform divided into 3 sections: fleet, farm & data

TIME-SAVING MANAGEMENT

- Visualisation of data from multiple machines in one field
- Manage your activity & transfer data from your office to machines and vice versa

MAXIMUM PRODUCTIVITY-ENHANCING DECISION MAKING

- Notifications & visualisation of critical operating parameters
- Connect and share securely with Application Programming Interface (API)

Go anywhere,
see everything

RECEIVE UPDATES ON YOUR DAILY OPERATIONS

- See, share and manage data on the go, in real time, from any device
- View updated machine telematic data and fault codes remotely

THE ULTIMATE SOLUTION FOR WHEN YOU'RE ON THE MOVE.

- Live vehicle map lets you find machines' locations and get driving directions
- Share vehicle info, location and directions with various apps (e.g. WhatsApp) on your phone



YOUR ALL-NEW DESTINATION FOR CASE IH PRODUCT SUPPORT

MYCASEIH is the new free cloud-based platform which gives you a single place to log in for access to everything related to your Case IH farm equipment. Find an overview of all your machine and equipment, manage your users and access a support knowledge section with operator manuals, support documents, parts catalogues and more. The platform is available on all devices: smartphone (Apple & Android), tablet and desktop.

VISIT US AT MY.CASEIH.COM





FARM MANAGEMENT

GET MORE DONE EACH DAY

Optimise your time by easily organizing your fields, applications and agronomic data

MANAGE YOUR COMPANY

Managing your fields and your data can be time-consuming. AFS Connect optimises your time by easily organising your fields, applications and agronomic data.

With a wealth of information at your fingertips, you can boost your operation's performance.

- **Data visualisation:** access agronomic data in near real-time for all your seeding, application and yield activities. Included: topographic, weather, equipment, or prescriptions information.
- **Reporting:** capture all of your critical farming information on the go or directly from your equipment. Plan upcoming activities, manage logistics, share data with your trusted advisors and make informed decisions
- **Usability:** Keeping track of everything going on in your operation has never been easier. Whether you're on the road, in the field or at the office, the intuitive user interface keeps you informed.



FLEET MANAGEMENT

TRACK, MONITOR & MANAGE YOUR ENTIRE FLEET

Efficiently track your equipment's location & view machine parameters in real time

MANAGE YOUR PRODUCTIVITY

When all your equipment operates efficiently with little to no idle time, you have the peace of mind that comes with working smarter and knowing that you're doing all you can to make the most of each growing season.

- **Fleet overview:** access key information with detailed performance values for each machine by vehicle type. The map overview allows visualisation of connected equipment to more efficiently execute infield operations and coordinate the fleet.
- **Vehicle details page:** access recent machine operations and get a 7 day report of the vehicle status by hours and fuel usage.
- **Fault history and notifications:** view and filter the faults shown to the operator on the in-cab displays. Configure and setup notifications such as vehicle speeds, oil temperature, engine load or fuel level and receive them via web or via text messages.



DATA MANAGEMENT

CONNECT AND SHARE DATA

Securely share your farm data with trusted partners, anytime, anywhere

MANAGE YOUR DATA EXCHANGE

Seamlessly manage, share and move data – all while ensuring you stay in complete control with your preferred trusted business partners.

- **Secure data sharing:** Securely share selected data with trusted partners while keeping complete control of who can access each piece of generated data.
- **Third-party partners:** wirelessly transfer two-way data between AFS Connect and trusted third-party suppliers (AgDNA, Cropio, Farmers Edge™, Trimble® Ag Software, Climate Field View...) to make the most of agronomic data and drive daily management decisions

Solutions for mixed fleets: Case IH customers benefit from a comprehensive solution for sharing data thanks to two recent partnerships:

- DataConnect is a new cloud-to-cloud interface, in partnership with CLAAS, 365FarmNet, John Deere and New Holland. Mixed-brand fleets owners can look forward to easier data exchange and management without compatibility issues.



MACHINE OF THE YEAR

©granheute 2020 traction

- With the universal data transfer hub Agrirouter (including many other tractor and implement brands like AGCO, SDF, Krone, Pöttinger, Lemken, Kuhn, etc., list available at <https://my-agrirouter.com/en/agrirouter/brands/>) to help ensure compatibility of tractor and implement data management systems.

AUTOMATED OPERATING SEQUENCES FOR INCREASED PRODUCTIVITY

Work productively, accurately, and in comfort with the headland management system, AccuTurn Pro, and integrated ISOBUS compatibility

The monitor integrated into the operator's seat armrest gives the operator full control over all the tractor's automatic functions and connecting the reversing camera.

HMC II

All Puma CVXDrive and Multicontroller models feature Headland Management Control II, which is designed to assist the driver when turning at the headland. Each step can be programmed either by time or distance travelled. In addition, triggers for various other automated functions can be set, such as lowering the engine speed after lifting the implement. A headland sequence can be recorded while driving or programmed on the stand. The sequence can be played back manually or automatically via the Multicontroller, the ICP control panel in the armrest, or the AFS Pro 700 monitor.

ISOBUS III FOR BEST EFFICIENCY

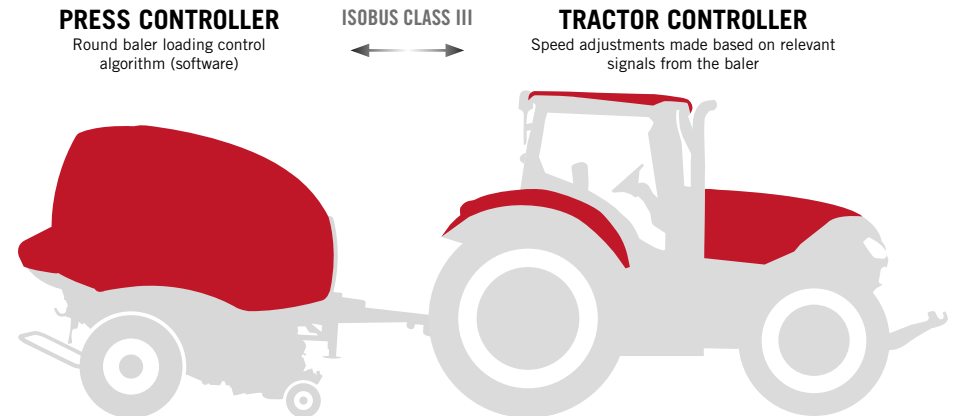
In addition to the ISOBUS I and II standards, which suggest implement settings via the AFS Pro 700 monitor (Class I) and control implements (Class II), the Puma CVXDrive also offers ISOBUS class III. With ISOBUS III, the implement automatically controls aspects of the Puma CVXDrive. The tractor will automatically adjust forward speed, steering (option), hitch position and PTO speed, as well as operating remote valves depending on the implement's needs. The result is perfect cooperation and improved efficiency of the implement and tractor.

AUTOMATED TURNING PROCESS

Our brand new AFS AccuTurn Pro technology combines headland management and headland steering processes. Turning radius, speed, and implement control when turning on headlands are automated and optimized, resulting in increased efficiency and improved comfort.



ISOBUS functions can be configured onto existing controllers such as the Multicontroller, joystick and control levers.







165



BE A FARMER

We take care of the rest

At Case IH, we see it as our responsibility to be at the customer's side anytime he or she has a question. Our intensive after sales support includes a comprehensive service package and customer service programme, which has the answer to any question. A strong local network allows us to be close to you when you need us. Our services include tech support to financing, AFS questions, service checks and even organization and provision of the right spare parts. That's what modern service is all about.





UPTIME IS ALWAYS ON OUR MIND

Because it's always on yours

DAY-TO-DAY SERVICE HAS NEVER BEEN EASIER

We know time is critical in this business, and the less you need to spend on servicing the better. Daily maintenance on Puma tractors is straightforward, easy and quick in order to reduce costs and machine downtimes.

750-HOUR OIL CHANGE INTERVALS

Industry-leading oil service change intervals help keep you in the field longer.

MAINTENANCE-FREE AFTERTREATMENT SYSTEM

Exclusive patented HI-eSCR2 technology requires no engine regeneration or additional emission components, reducing maintenance and costly downtime to a minimum.

EASY ACCESS TO THE FUEL FILTER

The filter is located on the lower right-hand side of the engine compartment to improve serviceability and access.

LARGE FUEL AND ADBLUE TANK

A large fuel tank of 330 litres guarantees long working days without refilling.

SERVICE TEAM

Be a farmer. We take care of the rest

The Case IH **SERVICETEAM**, a strong dealer network backed up by local Case IH market teams, industry-leading Case IH support tools, modern training methods, best-in-class spare parts support and logistics performance: These provide Case IH customers with excellent all-encompassing after-sales service, keeping you farming!

GENUINEPARTS

WE KEEP YOUR EQUIPMENT RUNNING.

Your local Case IH dealer and our dedicated 24/7 parts call centre technicians and their logistics colleagues are all part of the Case IH ServiceTeam network. They're highly trained to give you expert advice and solve problems, ensuring the correct, genuine Case IH parts are located and dispatched right away, reaching you next day or sooner to keep your machine in top condition.

MAXSERVICE

AROUND THE CLOCK. AROUND THE COUNTRY.

When you're working around the clock, MaxService ensures you're never alone. It's a dedicated helpline that connects you to the Case IH ServiceTeam 24/7. Call technicians at your local dealer are ready to assist with technical advice, software solutions and genuine parts ordering. At peak season, we can keep you farming with breakdown assistance.

SAFEGUARD WARRANTY

SAFEGUARD THREE-YEAR WARRANTY

The best things come in threes: Our extremely high quality standards and continual improvements to our products have allowed us to offer a 3-year factory warranty. The warranty covers all necessary repairs in years 2 and 3 to the extent of the base warranty. Labour and Case IH original parts are covered for every warranty repair without any unexpected cost to you. Terms and conditions apply, call your local Case IH dealer for details!



OPTIMAL FINANCING SOLUTION FOR EVERY INVESTMENT.

CNH Industrial Capital is the financing company for Case IH. Our employees are financial experts and have many years of experience in agriculture. We do not only know about Case IH products and the market – we also understand the individual requirements of your operations. Therefore we are always able to offer you a financial solution for your new investments that is tailored specifically to your operational requirements. Our most important goal is improving the profitability of your investments!





SUSTAINABILITY

It's a part of everything we do

Case IH is part of CNH Industrial, one of the world's largest capital goods companies. It has a firm focus on its environmental responsibilities, and has been a nine-time leader in the Dow Jones Sustainability Index.

WITHIN THE CNH INDUSTRIAL GROUP:

- 91% of waste is recovered
- 27.5% of water used is recycled
- 56% of electricity used is from renewable sources.

Being a global leader in capital goods carries great responsibilities, which means that we must be accountable for every global activity we perform. Our responsibility does not stop at the factory gate, and we have made great efforts to be proactive when it comes to the broader global issues surrounding sustainability. Over the years, our work in research and development has been geared towards ensuring that our products continue to achieve increasingly high standards in terms of safety and eco-compatibility. Rather than limiting customers to a choice between low operating costs and eco-efficiency, our strategy is to offer products that deliver both.

By providing innovative products and solutions that abide by environmentally responsible operating practices, Case IH is doing its part to address global issues such as climate change. Today's companies face complex and interconnected challenges that demand an ever-evolving approach to sustainability, a scenario that Case IH believes is an important driver in creating long-term value for all its stakeholders, which is a core objective of the brand.

At Case IH, our engineers are focused on producing machines that not only work on the land, but work with it too.

THE SUSTAINABILITY GROWTH DRIVERS ARE:

- Necessity of feeding an increasing population
- Importance of soil protection for future generations
- Growing sustainable farming solutions
- Increasing public awareness
- Fostering public engagement



REDUCE THE CONSUMPTION OF RESOURCES BY MOVING FROM FOSSIL FUELS TO A **RENEWABLE ENERGY SYSTEM**



INCREASE AGRICULTURAL PRODUCTIVITY TO **IMPROVE FOOD** AVAILABILITY



REDUCE **ENVIRONMENTAL IMPACT** AND OPTIMIZE **ENERGY CONSUMPTION** IN ALL COMPANY PROCESSES



INCREASE OPPORTUNITIES FOR EXCHANGING **IDEAS** AND **GOOD PRACTICES** WITH ALL **STAKEHOLDERS**

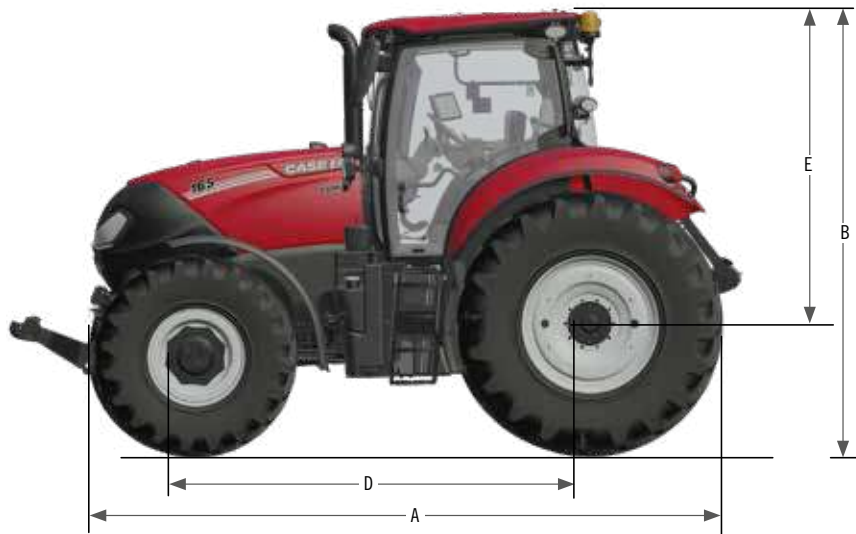


MODELS	PUMA 140	PUMA 150	PUMA 165	PUMA 150 MULTICONTROLLER	PUMA 165 MULTICONTROLLER
ENGINE					
Number of cylinders / Capacity [cm ³]	6 / 6,700				
Type / Emission level	Common Rail Diesel engine, turbocharger and HI-eSCR2 only exhaust after treatment / Stage V				
Maximum power ECE R120 ¹⁾ Power Management ²⁾ [kW/hp(CV)]	129 / 175	140 / 190	154 / 209	140 / 190	154 / 209
Maximum power ECE R120 ¹⁾ [kW/hp(CV)]	114 / 155	121 / 165	132 / 180	121 / 165	132 / 180
... at engine speed [rpm]	1,800				
Rated power ECE R120 ¹⁾ Power Management ²⁾ [kW/hp(CV)]	129 / 175	140 / 190	154 / 209	140 / 190	154 / 209
Rated power ECE R120 ¹⁾ [kW/hp(CV)]	103 / 140	110 / 150	121 / 165	110 / 150	121 / 165
... at engine speed [rpm]	2,200				
Maximum torque Power Management ²⁾ [Nm @ 1,500rpm]	750	805	875	805	875
Maximum torque [Nm @ 1,500rpm]	655	700	770	700	770
Torque rise standard / Power Management ²⁾ [%]	47 / 47	46 / 44	46 / 44	46 / 44	46 / 44
Fuel tank capacity, diesel / urea [litres]	330 / 48				
TRANSMISSION					
ActiveDrive 6 - 18x6 semi powershift / PowerDrive - 18x6 full powershift 40kph	● / -		○ / ●		
ActiveDrive 6 - 19x6 semi powershift / PowerDrive - 19x6 full powershift 40kph ECO @ reduced rpm	○ / -		○ / ○		
ActiveDrive 6 - 19x6 semi powershift / PowerDrive - 19x6 full powershift 50kph	○ / -		○ / ○		
Powershuttle	●				
Creeper	○				
Rear axle diff-lock type	Multi disc wet plate with management system				
Service brake	Hydraulically operated multiple wet disc brake, self adjusting				
POWER TAKE OFF					
Type	Shiftable with progressive electro-hydraulic engagement. Auto-PTO optional				
Speeds Standard (Option)	540 / 540E / 1,000 (540E / 1,000 / 1,000E) both with optional ground drive				
... at engine speeds Standard (Option) [rpm]	1,969 / 1,546 / 1,893 (1,592 / 1,893 / 1,621)				
Shaft type Standard (Option)	1 3/8" 21 splines (1 3/8" 6 splines or 1 3/4" 20 splines)				
FRONT PTO AND FRONT HITCH					
Front PTO 1,000 speed @ engine rpm	1,895				
Front hitch max. lift capacity [kg]	3,568				
FOUR-WHEEL DRIVE AND STEERING (DRIVELINE)					
Type	Electro-hydraulic with management system, differential lock as standard				
Front axle suspension	○				
Min. turning radius ³⁾ track setting 1,829mm [m]	5.45				
HYDRAULIC SYSTEM					
System type	Variable displacement, pressure flow compensated pump				
Max. pump flow rate Standard (Option) / System pressure	110l/min (-) / 210 bar		110l/min (150l/min) / 210 bar		
Control type	Electronic Hitch Control (EHC) with cushion ride control				
Max. lift capacity [kg]	8,257				
OECD lift capacity through range @ 610mm [kg]	6,616				
Max. number of rear remote valves	4 mechanical		4 mechanical or 5 electrical		
Max. number of mid mount valves with electrical joystick	3 electrical				
Remote valve timer control	-		1 - 60 seconds on all models		
Category type	Cat II-III				
Slip control	○				
STANDARD TYRES ⁴⁾					
Front / Rear	540/65 R28 / 650/65 R38				

MODELS	PUMA 140	PUMA 150	PUMA 165	PUMA 150 MULTICONTROLLER	PUMA 165 MULTICONTROLLER
WEIGHT / DIMENSIONS ³⁾					
Approximate shipping weight standard / suspended front axle [kg]	6,480 / 6,782				
Permissible total weight [kg]	10,500				
A: Max. length with front and rear lower links down standard / suspended front axle [mm]	5,240 / 5,316				
B: Total height low roof / standard cab [mm]	2,914 / 3,026		- / 3,026		
C: Minimum width across rear fenders (narrow / wide type fender) [mm]	2,060 / 2,476				
D: Wheel base standard / suspended front axle [mm]	2,734 / 2,789				
E: Height at centre of rear axle, highest point low roof / standard cab [mm]	2,098 / 2,210		- / 2,210		
F: Track setting front / rear [mm]	1,325-2,285 / 1,430-2,230				



MODELS	PUMA 150 CVXDRIVE	PUMA 165 CVXDRIVE	PUMA 175 CVXDRIVE
WEIGHT / DIMENSIONS ³⁾			
Approximate shipping weight standard / suspended front axle [kg]		6,480 / 6,782	
Permissible total weight [kg]		11,500	
A: Max. length with front and rear lower links down standard / suspended front axle [mm]		5,240 / 5,316	
B: Total height standard cab [mm]		3,026	
C: Minimum width across rear fenders (narrow / wide type fender) [mm]		2,060 / 2,476	
D: Wheel base standard / suspended front axle [mm]		2,734 / 2,789	
E: Height at centre of rear axle, highest point standard cab [mm]		2,210	
F: Track setting front / rear [mm]		1,325-2,285 / 1,430-2,230	



● Standard Equipment ○ Optional Equipment — Not available

¹⁾ ECE R120 correspond to ISO 14396 and 97 / 68 / EC

²⁾ Power Management is only available during hydraulic, mobile PTO and haulage applications

³⁾ With standard tyres ⁴⁾ Other tyres on request

MODELS	PUMA 150 CVXDRIVE	PUMA 165 CVXDRIVE	PUMA 175 CVXDRIVE
ENGINE			
FPT			
Number of cylinders / Capacity [cm ³]	6 / 6,700		
Type / Emission level	Common Rail Diesel engine, turbocharger and HI-eSCR2 only exhaust after treatment / Stage V		
Maximum power ECE R120 ¹⁾ Power Management ²⁾ [kW/hp(CV)]	140 / 190	154 / 209	165 / 224
Maximum power ECE R120 ¹⁾ [kW/hp(CV)]	121 / 165	132 / 180	147 / 200
... at engine speed [rpm]	1,800		
Rated power ECE R120 ¹⁾ Power Management ²⁾ [kW/hp(CV)]	129 / 175	140 / 190	151 / 205
Rated power ECE R120 ¹⁾ [kW/hp(CV)]	110 / 150	121 / 165	132 / 180
... at engine speed [rpm]	2,200		
Maximum torque Power Management ²⁾ [Nm @ 1,500rpm]	805	875	940
Maximum torque [Nm @ 1,500rpm]	700	770	840
Torque rise standard / Power Management ²⁾ [%]	46 / 44	46 / 44	46 / 44
Fuel tank capacity, diesel / urea [litres]	330 / 48		
TRANSMISSION			
CVXDrive continuously variable transmission 50kph or 40kph ECO	●		
Powershuttle	●		
Rear axle diff-lock type	Multi disc wet plate with management system		
Service brake	Hydraulically operated multiple wet disc brake, self adjusting		
POWER TAKE OFF			
Type	Shiftable with progressive electro-hydraulic engagement. Auto-PTO optional		
Speeds Standard (Option)	540 / 540E / 1,000 (540E / 1,000 / 1,000E) both with optional ground drive		
... at engine speeds Standard (Option) [rpm]	1,969 / 1,546 / 1,893 (1,592 / 1,893 / 1,621)		
Shaft type Standard (Option)	1 3/8" 21 splines (1 3/8" 6 splines or 1 3/4" 20 splines)		
FRONT PTO AND FRONT HITCH			
Front PTO 1,000 speed @ engine rpm	1,895		
Front hitch max. lift capacity [kg]	3,568		
FOUR-WHEEL DRIVE AND STEERING (DRIVELINE)			
Type	Electro-hydraulic with management system, differential lock as standard		
Front axle suspension	●		
Min. turning radius ³⁾ track setting 1,829mm [m]	5.45		
HYDRAULIC SYSTEM			
System type	Variable displacement, pressure flow compensated pump		
Max. pump flow rate Standard (Option) / System pressure	140l/min (160l/min) / 210 bar		
Control type	Electronic Hitch Control (EHC) with cushion ride control		
Max. lift capacity [kg]	8,257		
OECD lift capacity through range @ 610mm [kg]	6,616		
Max. number of rear remote valves	4 mechanical or 5 electrical		
Max. number of mid mount valves with electrical joystick	3 electrical		
Remote valve timer control	1 – 60 seconds on all models		
Category type	Cat II-III		
Slip control	○		
STANDARD TYRES ⁴⁾			
Front	540/65 R28		
Rear	650/65 R38		

CASE IH PUMA brochure – 06/2021
Cod. 21C0024INB
Printed in AUSTRIA

WWW.CASEIH.COM

Free phone: 00 800 22 73 44 00

 Safety never hurts! Always read the Operator's Manual before working with any equipment. Inspect equipment before using it, and be sure it is operating properly. Follow the product safety signs, and use any safety features provided. This literature has been published for worldwide circulation. The standard and optional equipment and the availability of individual models may vary from one country to the next. Case IH reserves the right to undertake modifications without prior notice to the design and technical equipment at all times without this resulting in any obligation whatsoever to make such modifications to units already sold. Whilst every effort is made to ensure that the specifications, descriptions and illustrations in this brochure are correct at the time of going to press, these are also subject to change without prior notice. Illustrations may show optional equipment or may not show all standard equipment. Case IH recommends **AKCELA** lubricants.



CASE IH
AGRICULTURE
FOR THOSE WHO DEMAND MORE