



**LOADALL | COMPACT RANGE**

Gross power: 19kW - 55kW | Lift capacity: 1400kg - 2500kg | Lift height: 4m - 6m



# ULTIMATE PERFORMANCE IN A COMPACT PACKAGE

Every JCB telehandler is designed to offer superb productivity and our Compact Loadall range is no different. Excellent visibility and manoeuvrability, versatile performance, potent power and innovation-driven efficiency are all part of the package.



## ULTIMATE PRODUCTIVITY

Our Compact Loadall range provides powerful performance and versatility with excellent manoeuvrability, whilst making the most of every drop of fuel.



## ULTIMATE STRENGTH

We've used innovative, state-of-the-art design and manufacturing processes to ensure that strength, durability and reliability are built in.



## ULTIMATE COMFORT

Our Compact Loadall cabs are great places to work, with high levels of comfort, easy-to-use controls and good visibility, keeping operators productive.



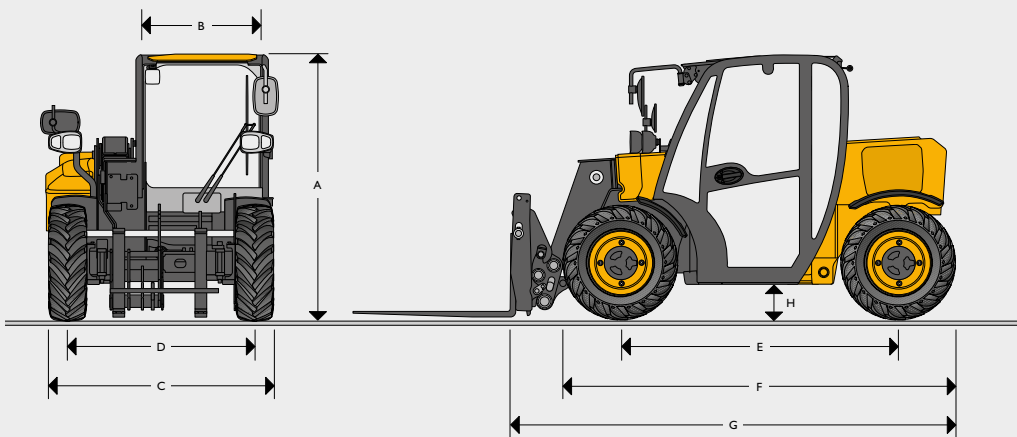
## ULTIMATE EFFICIENCY

Our Compact Loadall range offers extremely low operational costs in the short term, whilst holding their value in the long term.

## ULTIMATE SAFETY

Safety is paramount on any site. That's why we've designed our new JCB Compact Loadall range to protect machine, operator and bystanders alike.

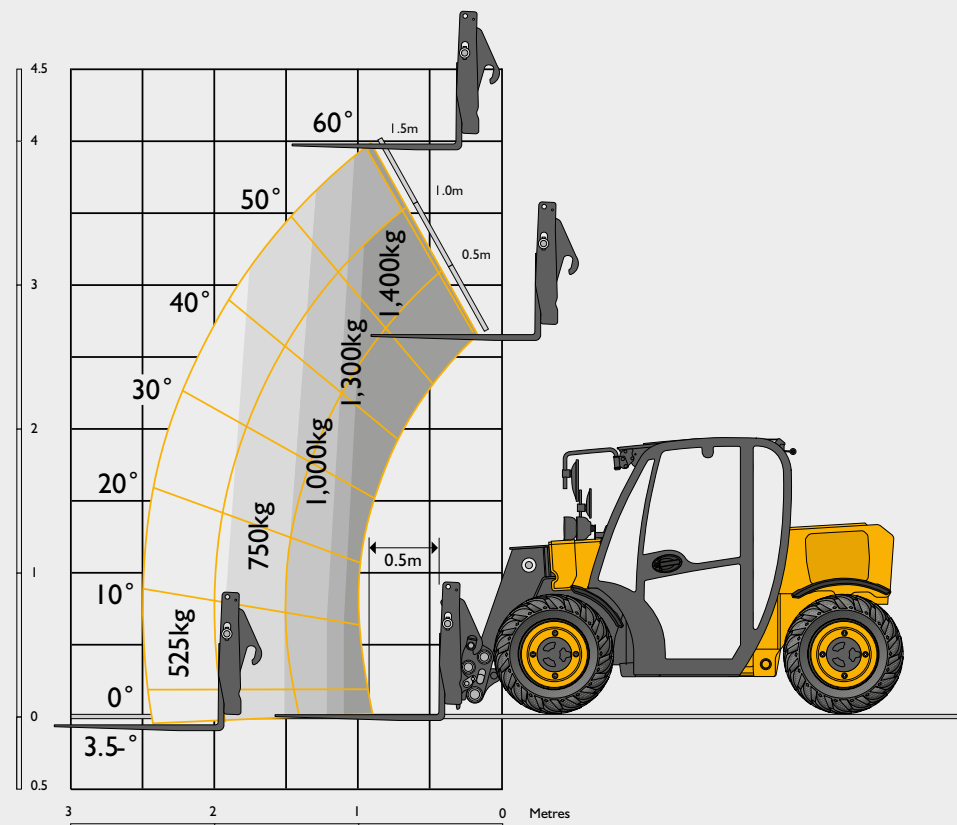
STATIC DIMENSIONS



Machine model	514-40	
A Overall height	m	1.80
B Inside width of cab	m	0.87
C Width over tyres	m	1.56
D Front track	m	1.29
E Wheelbase	m	1.88
F Overall Length to front tyres	m	2.61
G Overall length to front carriage	m	2.99
H Ground clearance	m	0.19
Outer turn radius over tyres	m	2.81
Carriage roll back angle at ground	degrees	12/30*
Carriage dump angle at max height	degrees	35
Weight (operating weight)	kg	2915
Weight (unladen with forks & frame)	kg	2840
Weight (unladen, no attachment)	kg	2700
Tyres	turf	10x16.5
	industrial	12x16.5

\*Bucket.

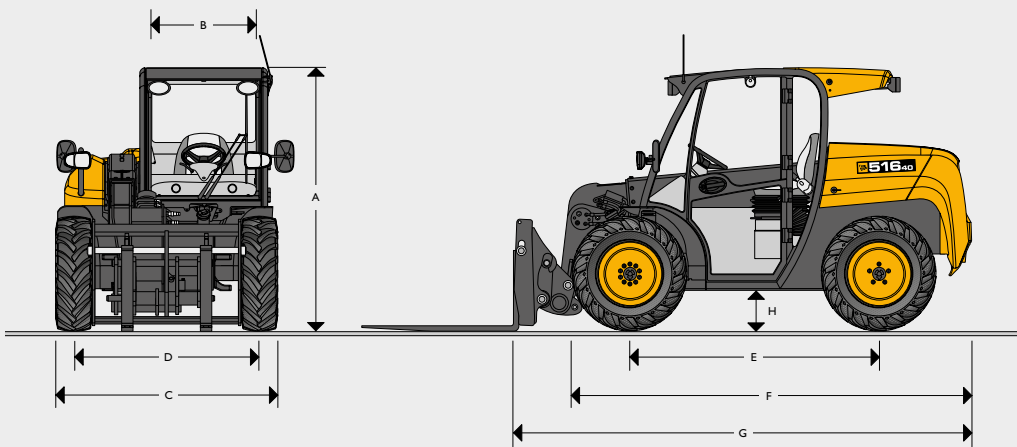
LIFT PERFORMANCE



Machine model	514-40	
Maximum lift capacity	kg	1400
Lift capacity to full height	kg	1300
Lift capacity at full reach	kg	525
Maximum lift height	mm	4035
Reach at max. lift height	mm	890
Maximum forward reach	mm	2510
Reach with 1 tonne payload	mm	1510

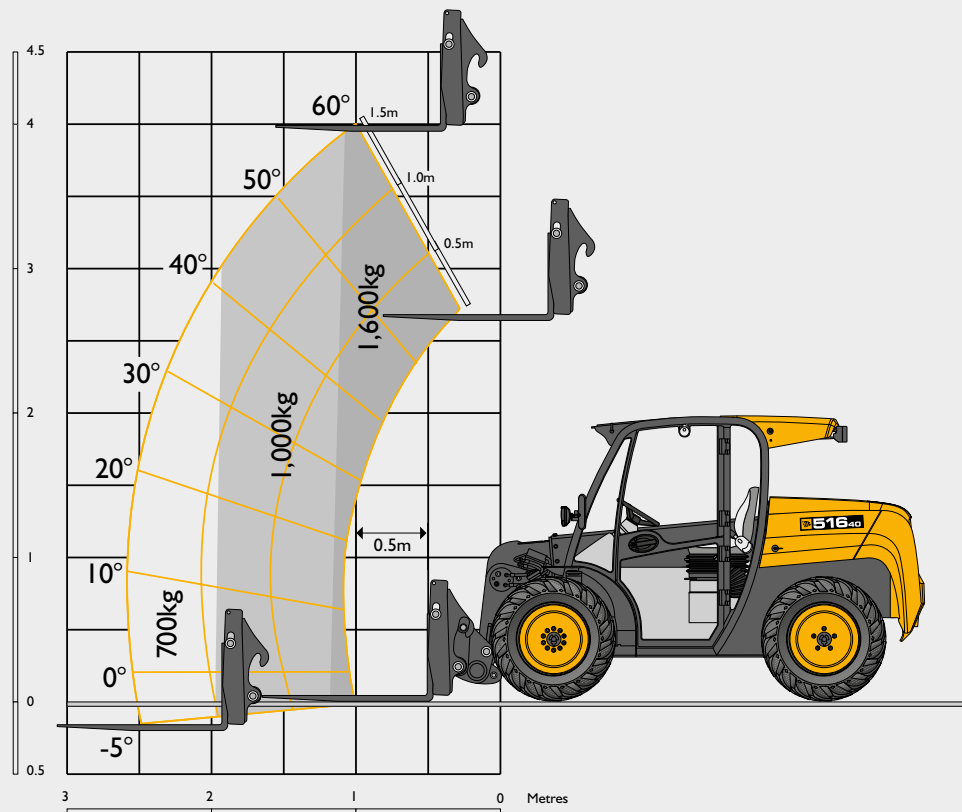
Complies with stability test EN 1459 Annex B.

STATIC DIMENSIONS



Machine model	516-40	
A Overall height	m	1.8
Overall height with wiper	m	1.84
B Inside width of cab	m	0.87
C Width over tyres	m	1.56
D Front track	m	1.3
E Wheelbase	m	1.75
F Overall Length to front tyres	m	2.8
G Overall length to front carriage	m	3.23
H Ground clearance	m	0.24
Outer turn radius over tyres	m	2.8
Carriage roll back angle at ground	degrees	35
Carriage dump angle at max height	degrees	30
Weight	kg	3421
Tyres	industrial	10.0/75-15.3

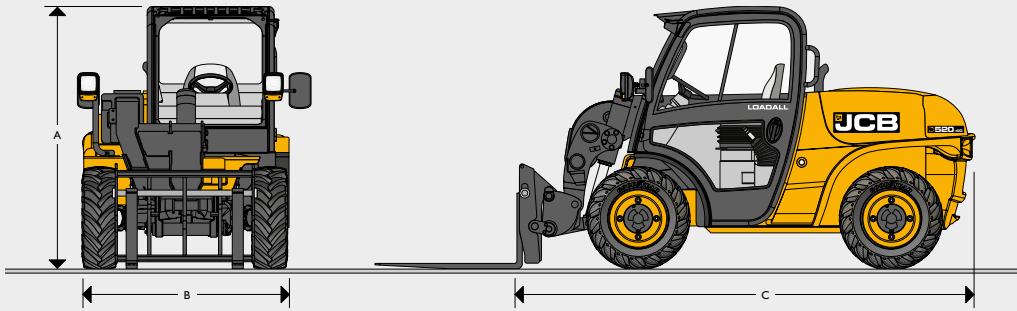
LIFT PERFORMANCE



Machine model	516-40	
Maximum lift capacity	kg	1600
Lift capacity to full height	kg	1600
Lift capacity at full reach	kg	700
Maximum lift height	mm	4045
Reach at max. lift height	mm	460
Maximum forward reach	mm	2535
Reach with 1 tonne payload	mm	1930

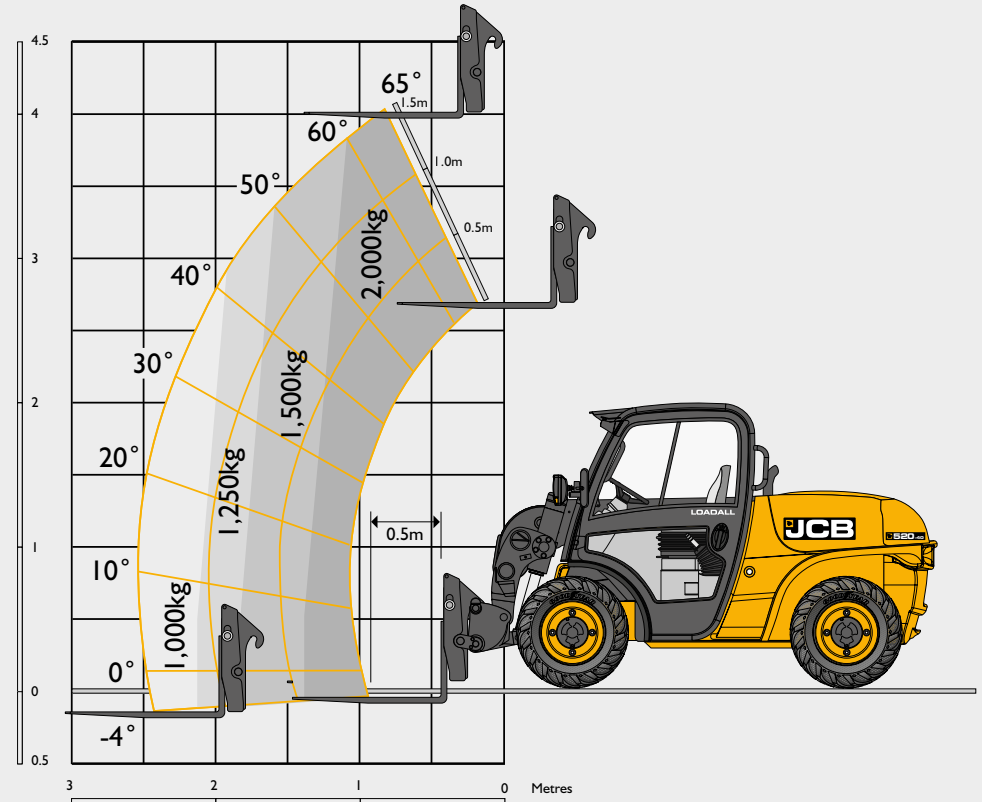
Complies with stability test EN 1459 Annex B.

STATIC DIMENSIONS



Machine model		520-40
A Overall height	m	1.97
B Inside width of cab	m	0.92
C Width over tyres	m	1.56
D Front track	m	1.29
E Wheelbase	m	1.90
F Overall Length to front tyres	m	2.92
G Overall length to front carriage	m	3.38
H Ground clearance	m	0.27
Outer turn radius over tyres	m	3.05
Carriage roll back angle at ground	degrees	48
Carriage dump angle at max height	degrees	33
Weight	kg	4400
Tyres		10x16.5

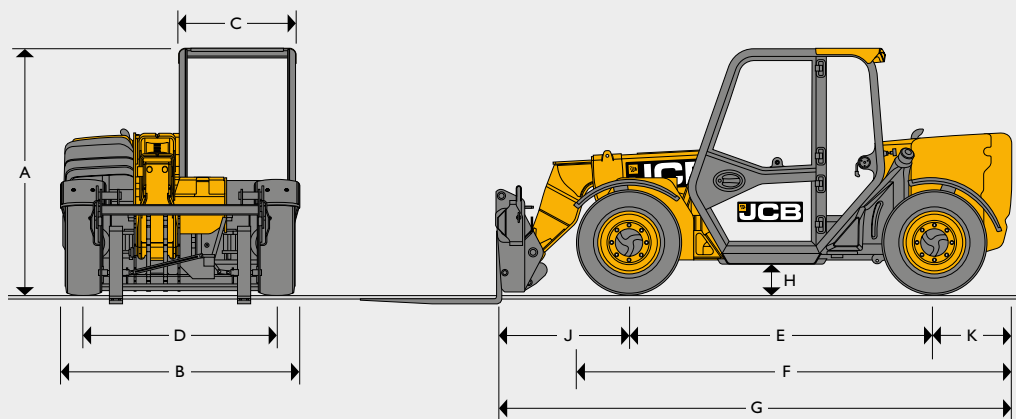
LIFT PERFORMANCE



Machine model		520-40
Maximum lift capacity	kg	2000
Lift capacity to full height	kg	2000
Lift capacity at full reach	kg	1000
Maximum lift height	mm	4035
Reach at max. lift height	mm	890
Maximum forward reach	mm	2590
Reach with 1 tonne payload	mm	2100

Complies with stability test EN 1459 Annex B.

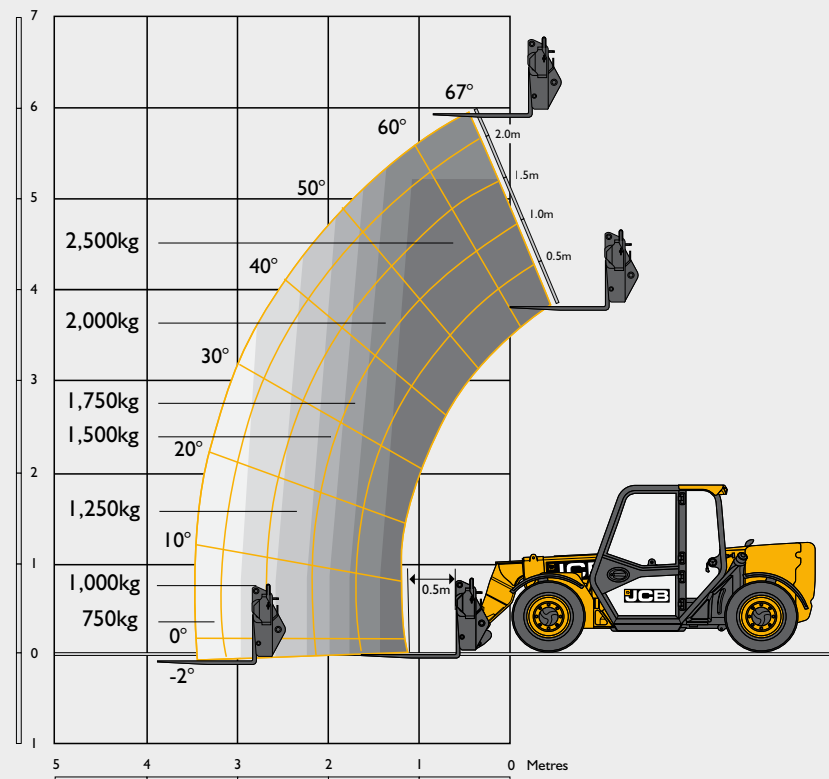
STATIC DIMENSIONS



Machine model		525-60 Hi-Viz
A Overall height*	m	1.89
B Overall width (over tyres)*	m	1.84
C Inside width of cab	m	0.88
D Front track	m	1.53
E Wheelbase	m	2.39
F Overall Length to front tyres	m	3.38
G Overall length to front carriage	m	4
H Ground clearance	m	0.23
J Front wheel centre to carriage	m	1.02
K Rear wheel centre to rear face	m	0.6
Carriage roll back angle at ground	degrees	11
Carriage dump angle at max height	degrees	114
Weight	kg	5490
Tyres	industrial	12x16.5

\* Dependant upon tyre specified.

LIFT PERFORMANCE



Machine model		525-60 Hi-Viz
Maximum lift capacity	kg	2500
Lift capacity to full height	kg	2000
Lift capacity at full reach	kg	800
Maximum lift height	mm	6000
Reach at max. lift height	mm	-150
Maximum forward reach	mm	3060
Reach with 1 tonne payload	mm	3000

Complies with stability test EN 1459 Annex B.

ENGINE					
		514-40	516-40	520-40	525-60 Hi-Viz
Engine model		Perkins 403J-11	Perkins 403J-17	Perkins 403J-17	JCB Diesel by Kohler
Power	kW	18.4	18.4	18.4	55
Torque	Nm	66.9Nm @ 1400rpm	98Nm @ 1400rpm	98Nm @ 1400rpm	300Nm @ 1500rpm
Displacement	litres	1.1	1.7	1.7	2.5
Number of cylinders		3	3	3	4

TRANSMISSION					
		514-40	516-40	520-40	525-60 Hi-Viz
Type		Hydrostatic			
Modes		2 Speed			
Drive		Permanent 4 Wheel Drive			
Maximum speed	kph	15	15	15	25

ELECTRICAL SYSTEM					
		514-40	516-40	520-40	525-60 Hi-Viz
System voltage	Volt	12	12	12	12
Alternator output	Amp hour	62	85	85	100
Battery capacity	Amp hour	65	80	80	120

HYDRAULICS					
		514-40	516-40	520-40	525-60 Hi-Viz
Maximum system pressure	bar	230	230	230	260
Flow rate	ltr/min	23	40	40	80
Joystick control		Twin lever	Single lever	Twin lever	Single lever Servo
Steer modes		Permanent 4 Wheel Steer			3 modes
<b>Cycle times</b>					
Boom Raise	seconds	7	8.9	8.9	7.6
Boom Lower	seconds	5	4.9	5.9	5.3
Extend	seconds	8.6	6.6	4.7	7.5
Retract	seconds	4.3	3.7	4.7	3.7
Bucket Dump	seconds	2.7	4.2	4.8	1.9
Bucket Crowd	seconds	3.7	3	4	2.9

SERVICE CAPACITIES					
		514-40	516-40	520-40	525-60 Hi-Viz
Fuel tank	litres	27	50	61	65
Hydraulic tank	litres	25	58	33	75

BRAKES					
		514-40	516-40	520-40	525-60 Hi-Viz
Service brakes		Hydraulically operated self-adjusting			
Parking brake		Cable manually operated drum brake			SAHR Handbrake self adjusting

OPTIONS					
		514-40	516-40	520-40	525-60 Hi-Viz
<b>CAB</b>					
ROPS ISO3471		•	•	•	•
FOPS ISO 3449		•	•	•	•
Hourmeter		•	•	•	•
Adjustable fabric seat		•	•	•	•
Digital dash display		•	•	•	•
LiveLink telematics		•	•	•	•
Load control system (LMI)		•	•	•	•

ACCESSORIES					
		514-40	516-40	520-40	525-60 Hi-Viz
Reversing alarm		•	•	•	•
50mm towing ball with 7 pin trailer electrics		•	-	-	-
Halogen work lights		-	+	+	+
LED work lights		+	-	-	+
Amber beacon		+	+	+	+
Green beacon with orange seat belt		+	-	+	+
Competitor carriages		+	+	+	+
Window guards		-	+	+	+
Sun blind		+	+	+	+
Immobiliser		+	+	+	+
Air conditioning		-	-	-	+
FM radio kit		+	+	+	+

STANDARD •

OPTIONAL +

NOT APPLICABLE -



**ONE COMPANY, OVER 300 MACHINES.**

Your nearest JCB dealer

**Loadall Compact Range**

Gross power: 19kW - 55kW    Lift capacity: 1400kg - 2500kg    Lift height: 4m - 6m

JCB Sales Limited, Rokeceter, Staffordshire, United Kingdom ST14 5JP.

Tel: +44 (0)1889 590312 Email: salesinfo@jcb.com

Download the very latest information on this product range at: [www.jcb.com](http://www.jcb.com)

©2022 JCB Sales. All rights reserved. No part of this publication may be reproduced, stored in a retrieval system, or transmitted in any form or by any other means, electronic, mechanical, photocopying or otherwise, without prior permission from JCB Sales. All references in this publication to operating weights, sizes, capacities and other performance measurements are provided for guidance only and may vary dependant upon the exact specification of machine. They should not therefore be relied upon in relation to suitability for a particular application. Guidance and advice should always be sought from your JCB Dealer. JCB reserves the right to change specifications without notice. Illustrations and specifications shown may include optional equipment and accessories. All images are correct at time of print. The JCB logo is a registered trademark of J.C. Bamford Excavators Ltd.

